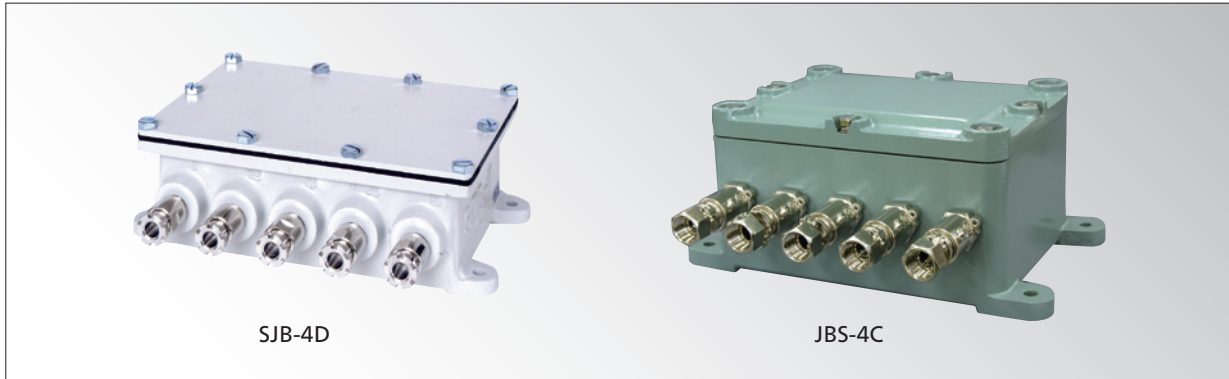


SJB-C/D, JBS-C

Junction Box



SJB-4D

JBS-4C

Cable extension for load cell and integration of multiple load cell outputs to a single cable

A junction box is used when connecting a load cell and amplifier using an extension cable, or when connecting cables of multiple load cells, weighing a tank or hopper, to an amplifier using a single cable.

The SJB-C/D are designed for general purposes and the JBS-C is for use under hazardous and explosive environments.

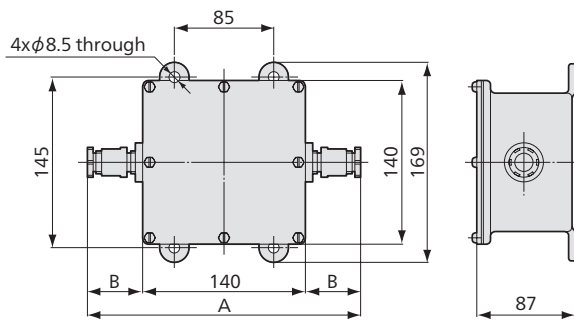
Models

Models	Connectable Load Cells	Applicable Cable Diameter	Remarks
SJB-1C	1	10 to 11 mm (15C)	4-conductor (0.5 mm ²) shielded cable
SJB-4C	4	10 to 11 mm (15C)	4-conductor (0.5 mm ²) shielded cable
SJB-1D	1	7 to 8 mm (10B)	4-conductor (0.3 mm ²) shielded cable
SJB-4D	4	7 to 8 mm (10B)	4-conductor (0.3 mm ²) shielded cable
JBS-1C	1	10 to 11 mm (Note)	—
JBS-4C	4	10 to 11 mm (Note)	—

Note: Please specify the cable diameter.

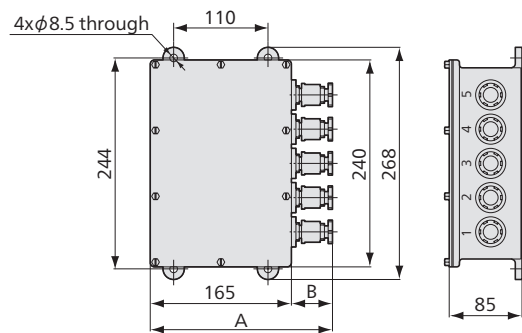
Dimensions

● SJB-1C,1D



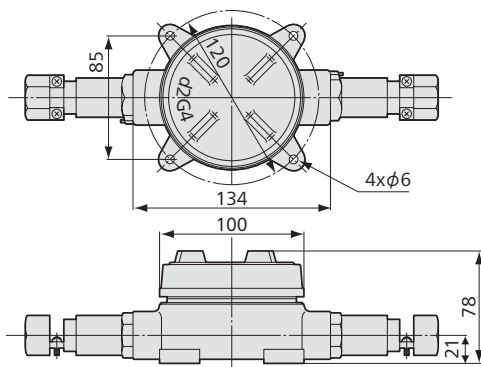
Models	A	B	Weight (Approx.)
SJB-1C	234	47	2.3 kg
SJB-1D	226	43	2.2 kg

● SJB-4C,4D

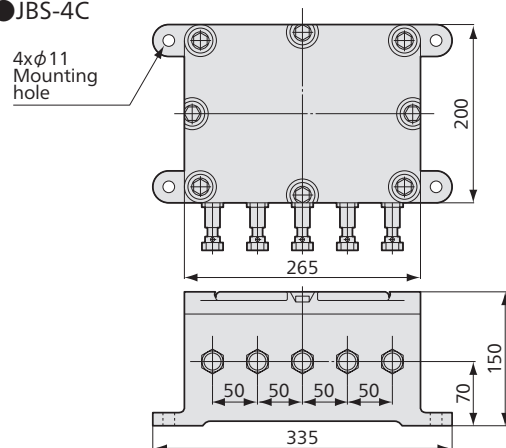


Models	A	B	Weight (Approx.)
SJB-4C	212	47	4.7 kg
SJB-4D	208	43	4.4 kg

● JBS-1C



● JBS-4C



Instrumentation Amplifiers

Outline

Amplifier

Checker

Other